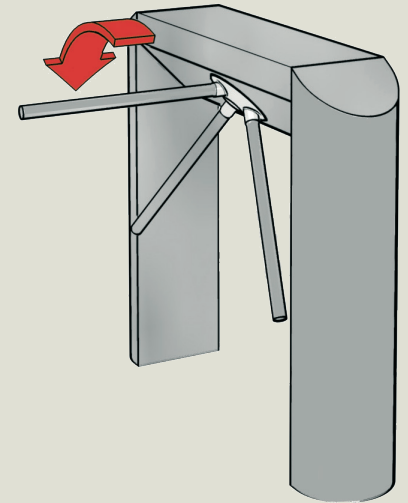


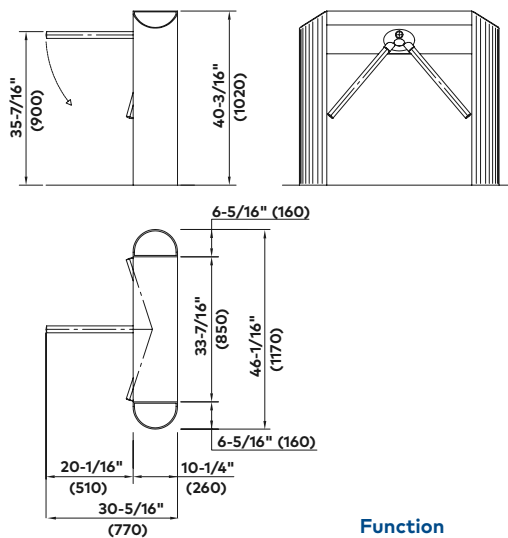
# TPB-E02

## Tripod turnstiles



Standard units	TPB-E02
Construction	Housing and base columns in a single unit (open design).
Housing material	AISI 304 stainless steel.
Base column, base or flange plate material	AISI 304 stainless steel.
Crossbar material	AISI 304 stainless steel.
Finish	Stainless steel satin finish.
Function (see <a href="#">Function</a> below)	Mechanical (Manual). Power assist.
Electrical equipment	Control system integrated in the unit.
Power supply	110 – 230 VAC, 50/60 Hz, 253 VA.
Standby power consumption	10 VA.
Installation	Finished floor. Suitable for outdoor installation.
Protection classes	Housing IP33, components conducting supply voltage IP43.

### TPB-E02 elevation drawings



**Note**

Dimensions shown as inches followed by millimeters; for example, 1" (25).

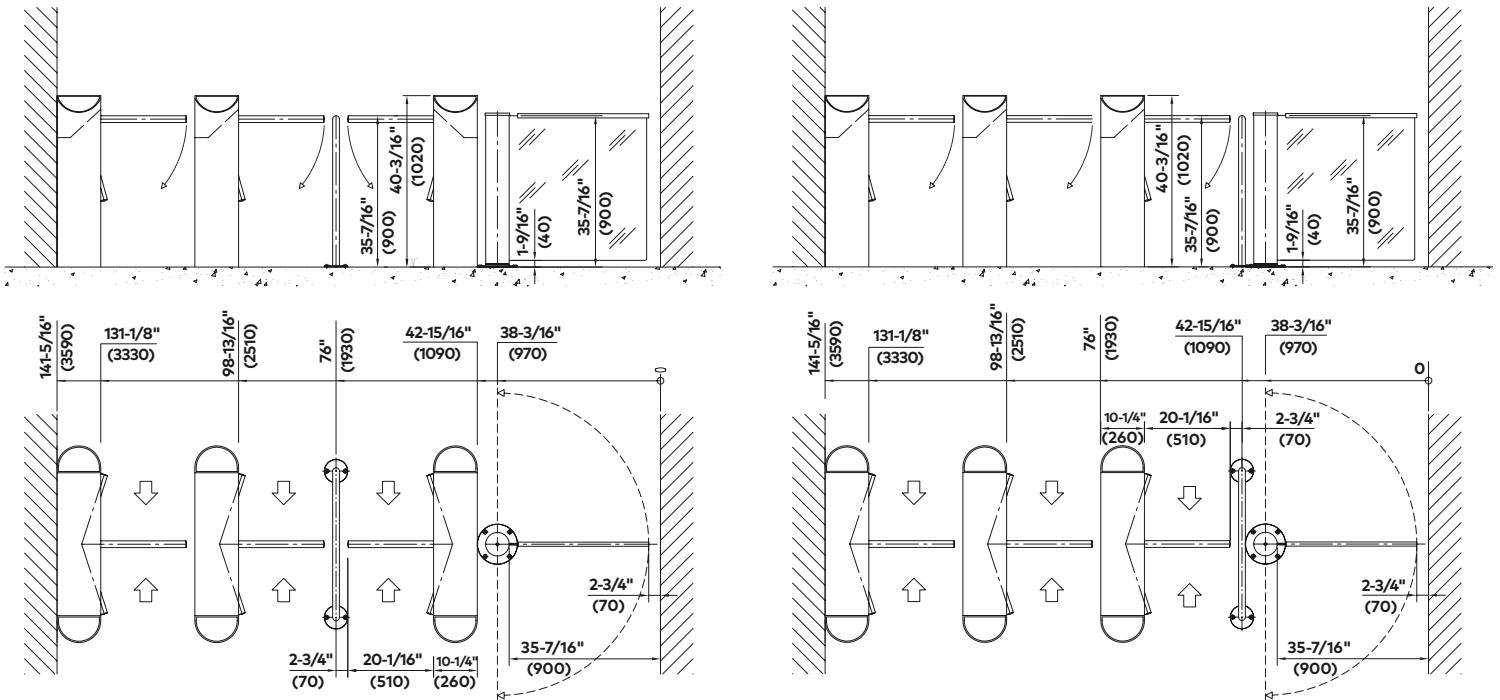
**Function**

- Manual—Mechanical operation, free in one direction/opposite direction blocked.
- Power assist—Power-assisted motion; servo-positioning drive/ electronically controlled in both directions (behavior in event of power failure can be selected for each direction: free or blocked).



# TPB-E02

## Installation drawings



## Options

### Function

- Counter
- Collapsible bars on units with power-assist.

### Electrical equipment

- Installation preparation for components provided by customer. Including cover plate.
- Operating panels and frames or surface mount housing.
- Various signal devices.

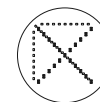
### Installation

- Pallet with stainless steel ramp and rubber covering, approx. 3' 3-5/16" x 4' 11-1/16" (1.0 m x 1.5 m), height approx. 1-1/4" (32 mm).

o optional



OPL 05 operating panel



Signal device LED arrow-cross (installed in the housing or in the cover plate on both sides).

dormakaba USA Inc.  
 Dorma Drive, Drawer AC  
 Reamstown, PA 17567  
 844.SPECNOW  
 www.dormakaba.us